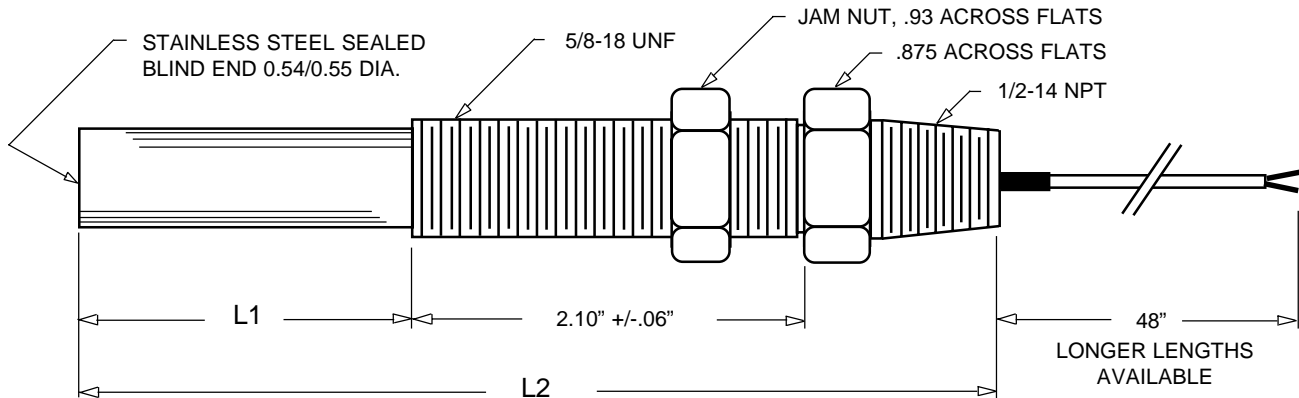


MAGNETIC SENSORS

Variable Reluctance Sensors **for rugged environments**. All stainless steel construction, sealed (blind) end, high temperature oil resistant epoxy encapsulation. Choice of pole piece diameters and penetration depths.



ORDERING GUIDE

MODEL	L1 +/- .03"	L2 +/- .1"	POLE DIA.	PRICE (1-3)
MS58293-2	0.40"	3.60"	3/32" (.093")	\$75.00
MS58293-3	2.03"	5.20"	3/32" (.093")	\$90.00
MS58293-4	3.97"	7.20"	3/32" (.093")	\$105.00
MS58213-2	0.40"	3.60"	1/8" (.125")	\$75.00
MS58213-3	2.03"	5.20"	1/8" (.125")	\$90.00
MS58213-4	3.97"	7.20"	1/8" (.125")	\$105.00
MS58219-2	0.40"	3.60"	3/16" (.188")	\$75.00
MS58219-3	2.03"	5.20"	3/16" (.188")	\$90.00
MS58219-4	3.97"	7.20"	3/16" (.188")	\$105.00

SPECIFICATIONS

Electrical:		Operating Temperature: -65°F to +300°F	
Output Voltage:	4V P-P measured with a 12 pitch gear @ 100 IPS, .028" probe-target gap	Humidity:	95%
Coil Resistance	610 ohm +/-10%	Vibration:	0.036 D.A. displacement, 5-75 Hz, 10 g peak, 75-4000 Hz
Inductance:	33mH +/-10%	Electrical Connection:	Two 18 AWG wires (white & black) with white teflon jacket.
Insulation Resistance:	100M-ohm (coil to case)	Mounting:	5/8"-18 UNF-2A Threaded housing with locknut.
Polarity:	With approach of ferrous metal, the white wire is positive with respect to the black wire.	Body Material:	303/304 Stainless steel, blind (sealed nose) end
Field Strength:	20 Gauss min. (at sensor tip)	Conduit Connection:	1/2"-14 NPT (male thread)
Mechanical-Environmental:		Encapsulation:	Epoxy resin: black color, 300°F temperature rating, resistant to gear oils and synthetic oils.
Pole Piece Diameters:	3/32", 1/8" and 3/16"		

Tel: **800-854-8530** (U.S.A.) or **951-699-2437**

FAX: **951-695-7246** email: **sales@ElectroNumerics.com**